

# IRIDEON

## ***AR500*<sup>TM</sup> Exterior Wash Luminaire** **Standard Version Installation Manual**



# AR500™ Exterior Wash Luminaire Standard Version Installation Manual

---

## Reporting Errors and Recommending Improvements

You can improve this manual. If you find any mistakes, or if you know of a way to improve procedures, please let us know. Send your letter to:

IRIDEON, Inc.  
201 Regal Row  
Dallas, TX. 75247 USA.  
attn: Service Manager

Our FAX number in Dallas is (214) 630-5867.

---

## Patent and Trademark Notice

IRIDEON™, Composer™, AR5™, AR6™, AR50™ and AR500™ are trademarks owned by IRIDEON, Inc., 201 Regal Row Dallas, TX 75247. IRIDEON products and services are protected by one or more of the following patents, and other pending patent applications worldwide: U.S. Patents No. 5,186,536; 5,073,847; 4,602,321; 4,392,187; Australia Patents No. 576,400; 546,433; 649,264 Canada Patents No. 1,259,058; 1,181,795; 2,070,670, 2,050,375 Europe Patents No. 0 192 882; 0 140 994; Japan Patent No. 1,533,011; Singapore Patent No. 663/90; Spain Patent No. 548.328, Mexico Patent No. 180,148.

© 1994-1996 IRIDEON, Inc. All Rights Reserved.

---

## Revision History

Basic	20 October 1994
Rev. A	14 June 1996

# AR500™ Exterior Wash Luminaire

## Standard Version Installation

---

Each AR500™ fixture is shipped in two cartons, with the stanchion in one carton and the head assembly in another carton. Be sure that you have one stanchion and one head assembly for each fixture to be installed.

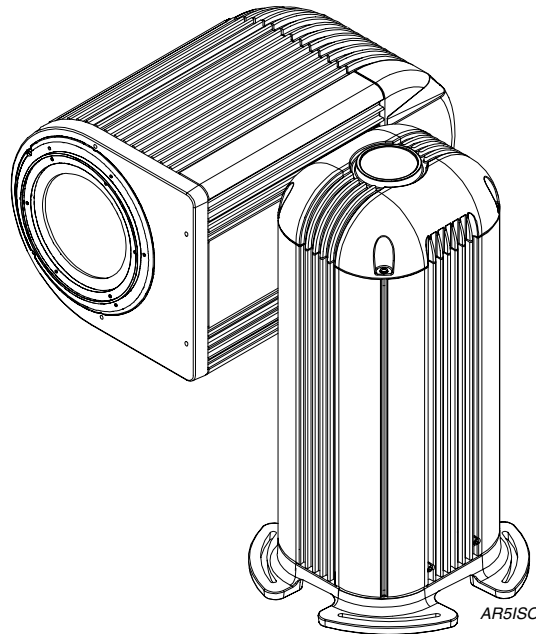
Included in each shipment is an installation tool kit. Check to be sure the tool kit contains the following items:

- 1-15/16" open-ended wrench
- 3/16" T-handle Allen wrench
- 100Ω termination resistor

Some additional tools will also be necessary in order to complete the installation. You will need to obtain the following item:

- #2 Phillips screwdriver
- #2 Straight slot screwdriver
- 3/4" (or 19mm) socket
- 9/16" (or 15mm) Socket

The installation site must provide an adequate mounting platform, sufficient clearance for focus adjustment of the head assembly and stanchion, sufficient access for relamping and other servicing, and provisions for power and data cabling.



**AR500 Exterior Wash Luminaire, Standard Version**

## 1 Site Preparations

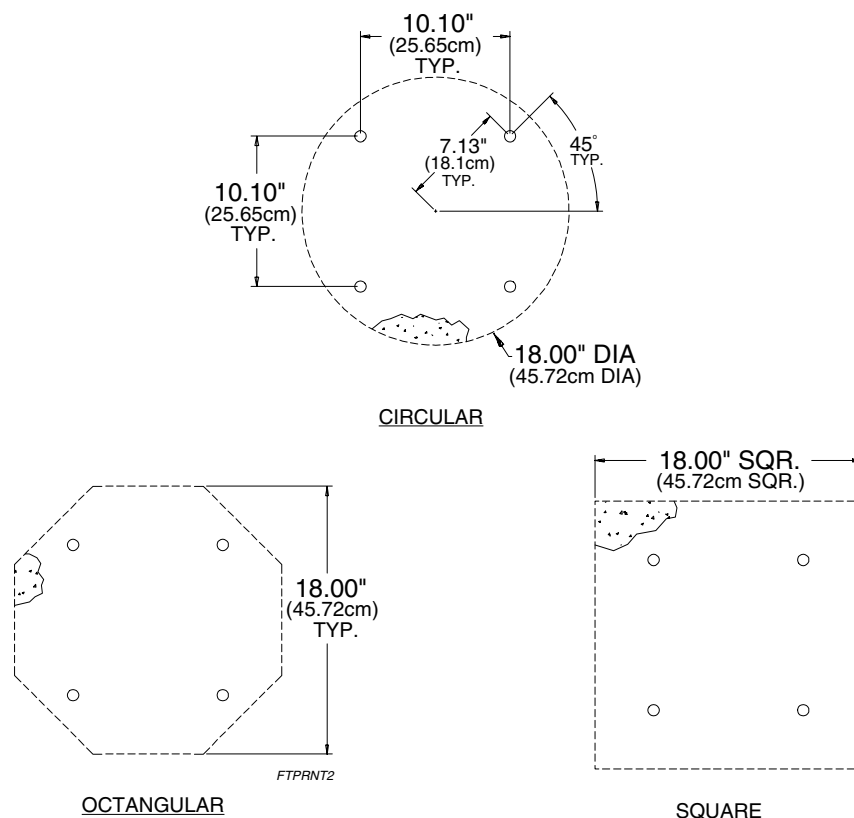
**Note:** The installation contractor is responsible for compliance with local electrical codes.

The luminaire stanchion is provided with 10 feet (3 m) data cable and 10 feet (3 m) power cable for external termination. To ensure proper operation, the installation site should be equipped with waterproof junction boxes for data and power cable termination. Data and AC power for each luminaire should be terminated in separate junction boxes, unless a single barriered junction box is installed. Terminal strips, not wire nuts, must be used to terminate wiring.

### 1.1 Mounting Platform for Stanchion Assembly

The stanchion mounting platform must have a diameter (or distance across flat sides) of at least 18 inches (45.00cm). The luminaire's mounting plate includes mounting holes sized to provide clearance for four sets of 3/8-18 (M10) (preferably stainless steel). The hole pattern for the mounting plate is a square that is 10.10 inch (25.65cm) on a side [or 10-7/64 inches (5.65cm)square].

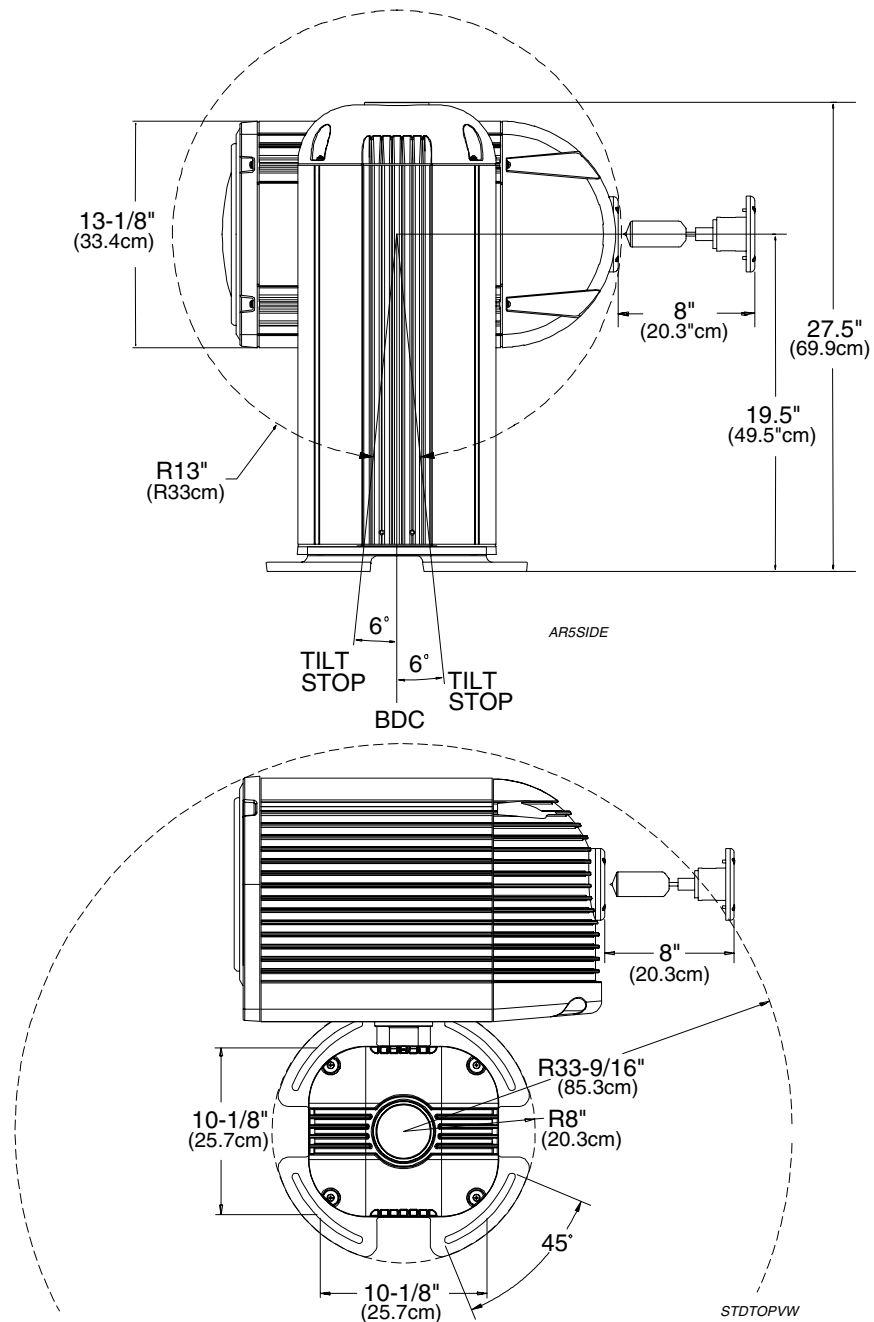
**Note:** Be sure to use four sets of 3/8 inch (M10) hardware when installing unit.



## 1.2 Clearance and Access

As shown, the head assembly can be rotated to any orientation thru 348° and requires 13 inch (33 cm) radius clearance around the vertical tilt axis. The stanchion assembly can be rotated 14° and requires 33-9/16 inches (85.3 cm) radius clearance around the horizontal pan axis.

**WARNING:** This appliance must be earthed. Flammable objects must be kept a minimum of 13'-2" (4.0 m) from lens.

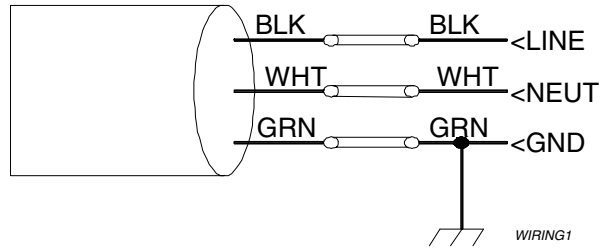


### 1.3 Input Power and Control Cabling

Each **AR500** luminaire requires 1000 watts of power at the specified voltage and frequency. The luminaire is provided with 10 feet (3 m) of unterminated power cable type SJOW-A 16-3 (1.5mm<sup>2</sup>). Power wiring is to be connected as follows:

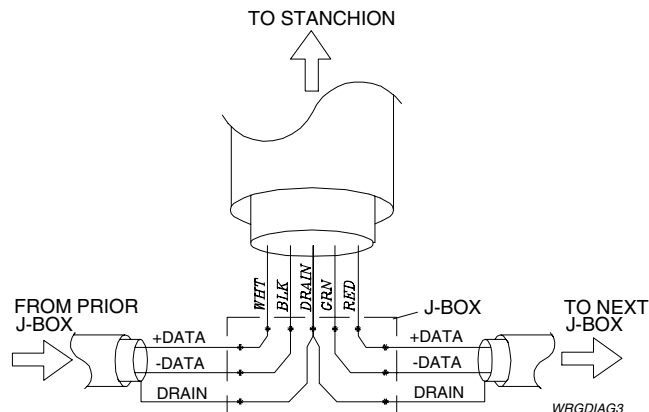
Wire	Connection
Black *(Brown)	AC Line
White *(Blue)	AC Neutral
Green *(Green/Yellow)	Ground

\* - European Model



The **AR500** luminaire is controlled by DMX-512 data connected to the two shielded twisted-pairs provided in the data cable. For DMX In and Thru configuration, connect data wiring as follows:

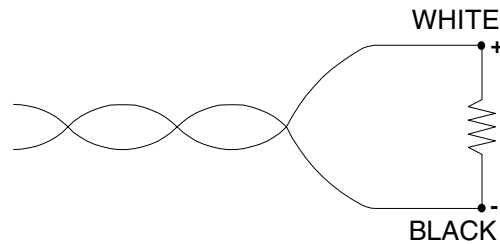
Wire	Connection
White/Red	Positive Data
Black/Green	Negative Data
Drain	Ground



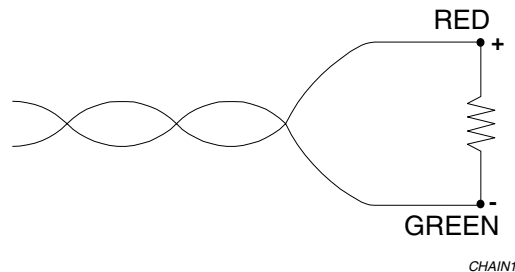
IRIDEON, Inc recommends Belden 9729 cable for control signal distribution to the luminaire.

## 1.4 Data Wire Termination

If data cable is installed in a daisy-chain (feed-thru) configuration, install  $100\Omega$  termination resistor (provided) at end-of-line between positive(white or red) data line and negative(black or green) data line. If data splitter is installed, the last luminaire on each data run, as well as the transmitter to splitter data run, must be terminated. (See diagram in [1.7 Multiple Data Run.](#))



-OR-



CHAIN1

## 1.5 Cable Specifications

### AC POWER INPUT (to stanchion)

Wire Gauge: 16 AWG 3-conductor \*( $1.5\text{mm}^2 \times 3\text{-conductor}$ )

Rating: 300V / 13 Amps

O.D.: 0.345 inches(8.77cm) \*[0.433inches(11mm)]

### DATA INPUT (to stanchion)

Wire Gauge: 22 AWG 2-shielded-pair w/ drain wire

Shield (inner): Aluminum/mylar

Shield (outer): Tinned copper braid

Rating: 300V

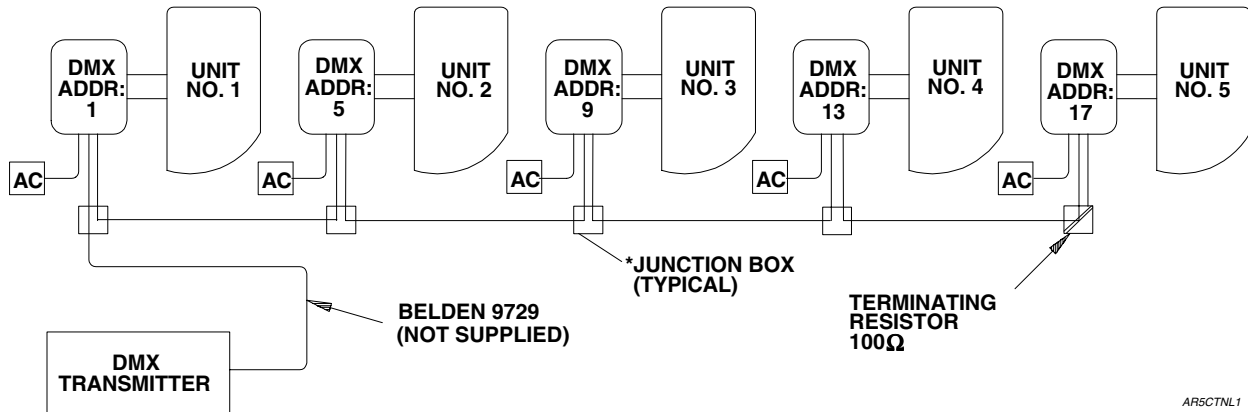
O.D.: 0.280 inches(7.11cm)

\* European model.



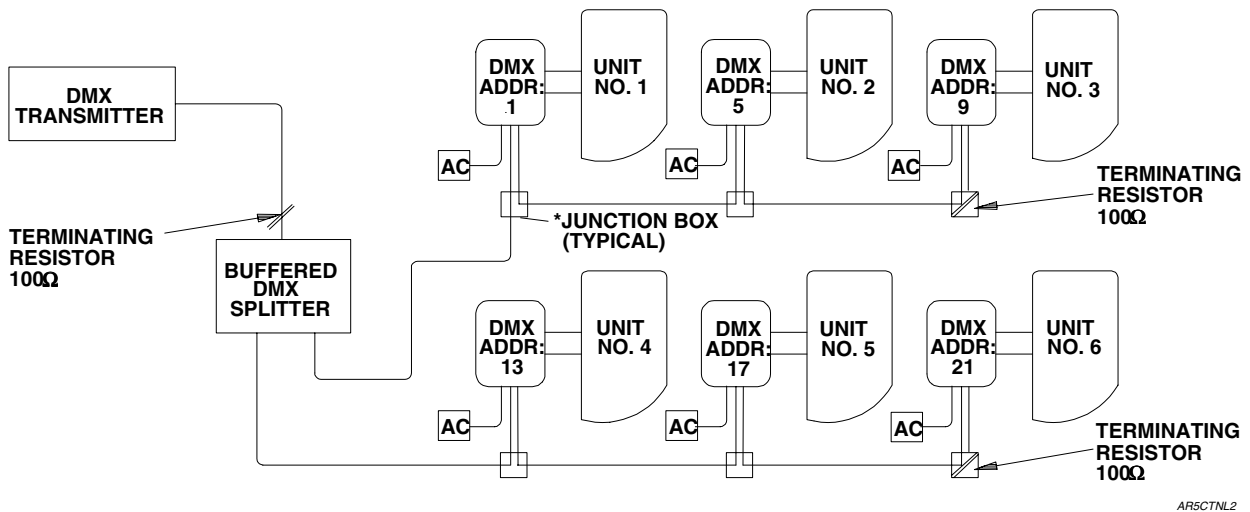
## 1.6 Single Data Run

The following illustration displays a five units layout with a single data run. Notice the 100Ω resistor at the end of the data line.



## 1.7 Multiple Data Run

The following illustration displays a six unit layout with a buffered DMX splitter. Notice the three 100Ω termination resistors.



## 2 Luminaire Installation Procedure

The following chapter describes unpacking shipping cartons, installing, preparing, and wiring the stanchion and head unit for the **AR500** luminaire. This section also covers lamp installation and focus procedures.

### 2.1 Unpack Shipping Cartons

**Note:** Stanchion weighs 82 pounds (37.19Kg) or less, depending on voltage configuration; head enclosure weighs 62 pounds (28.12Kg) for a total weight of 144 pounds (65.31Kg). The luminaire requires two people for installation.

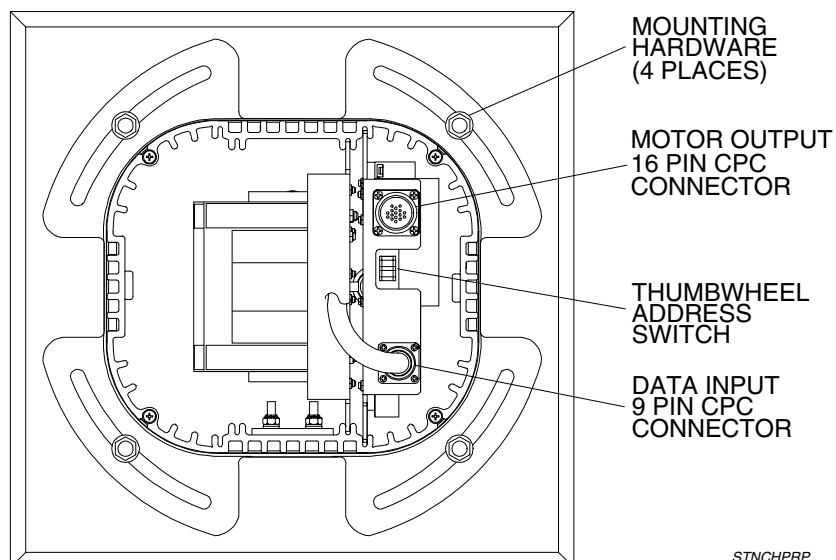
1. Remove stanchion and head assembly from cartons.
2. Locate tool kit (provided).

### 2.2 Install Stanchion

3. Set stanchion on mounting pad in required orientation. Loosely secure stanchion to pad using 3/8 inch (M10) hardware (not provided). Typically, this requires four flat washers, four lock washers, and four hex nuts.

### 2.3 Prepare Stanchion

4. Remove stanchion cap.
5. Set thumbwheel to address desired on switch board located at top of electronics plate (detailed in [3 Fixture Address](#)).

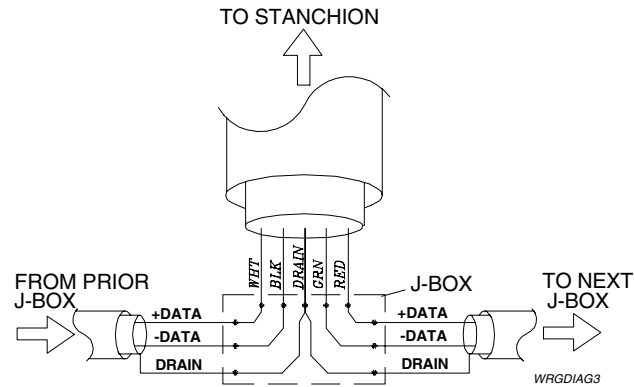


## 2.4 Wiring to Stanchion

6. Strip both data cable and power cable to expose conductors. Install 100Ω termination resistor (provided) at end-of-line between positive(white or red) data line and negative(black or green) data line. If data splitter is installed, the last luminaire on each data run, as well as the transmitter to splitter data run, must be terminated. (See diagram in 1.3 Input Power and Control Cabling.) Connect as follows:

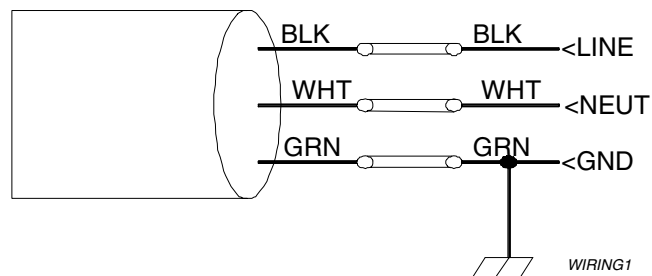
a. DATA Wires:

Wire	Connection
White/Red	Positive Data
Black/Green	Negative Data
Drain	Ground



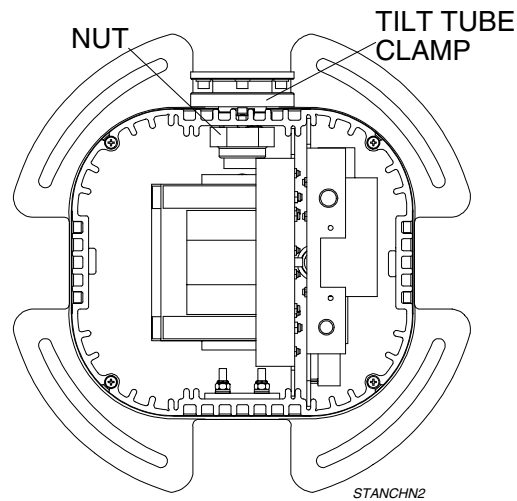
b. POWER wires:

Wire	Connection
Black *(Brown)	AC Line
White *(Blue)	AC Neutral
Green *(Green/Yellow)	Ground

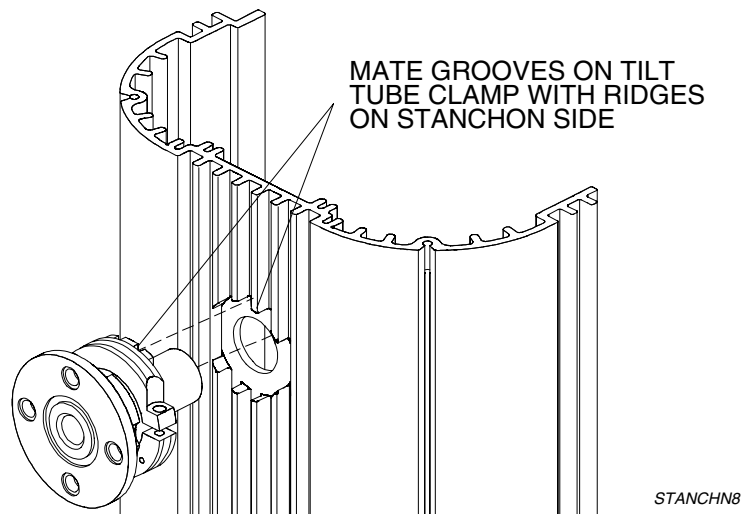


## 2.5 Install Head Enclosure

7. Connect head enclosure to stanchion as follows:
  - a. Remove nut, spring washer, and flat washer from the head enclosure tilt tube and from cables. Ensure black o-ring stays in tilt tube groove.
  - b. Dress cables through hole in stanchion.
  - c. Position grooves in tilt tube clamp so that they face upwards (head enclosure can later be rotated to face desired direction) and put head enclosure tilt tube through hole in stanchion.

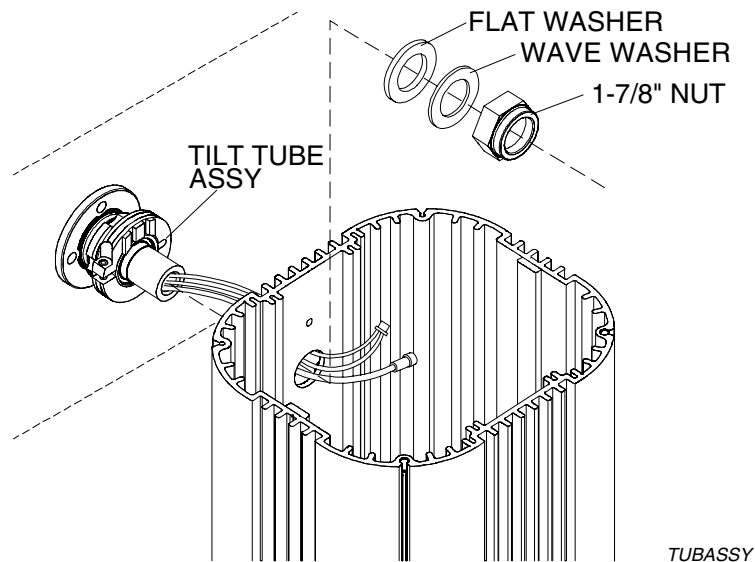


The grooves in the tilt tube clamp should fit over the two corresponding ridges running vertically on side of stanchion. Ensure black o-ring remains in groove of tilt tube.



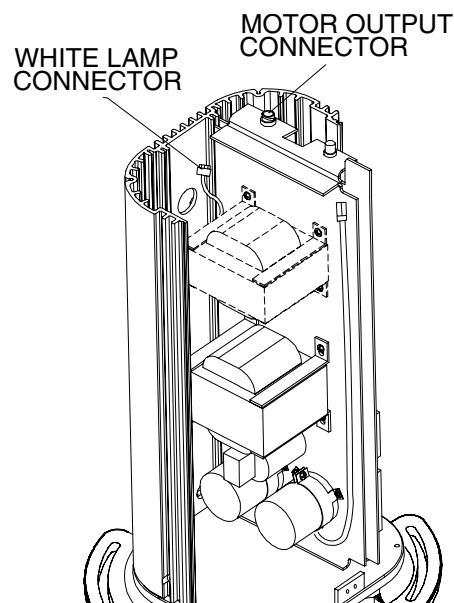
- d. Place flat washer over cables and onto threaded part of tilt tube. Repeat for wave washer.

- e. Dress nut over cables and thread onto tilt tube as shown.
- f. Using 1-15/16 inch open-ended wrench (provided), tighten 1-7/8 inch nut only until snug. The head should rotate when moved by both hands, yet hold itself in place when left alone. There should be no gap between tilt tube and stanchion side.



## 2.6 Finish Preparing Stanchion

8. Connect head enclosure cables to stanchion.
  - a. Plug in white lamp connector to ballast output connector.
  - b. Plug in 16-pin CPC connector (black) to electronics plate motor output connector.



- c. Reinstall stanchion cap. Tighten screws in a diagonal cross pattern only until snug. Then tighten screws in same pattern until tight. Be sure gasket forms proper seal when replacing cap.

---

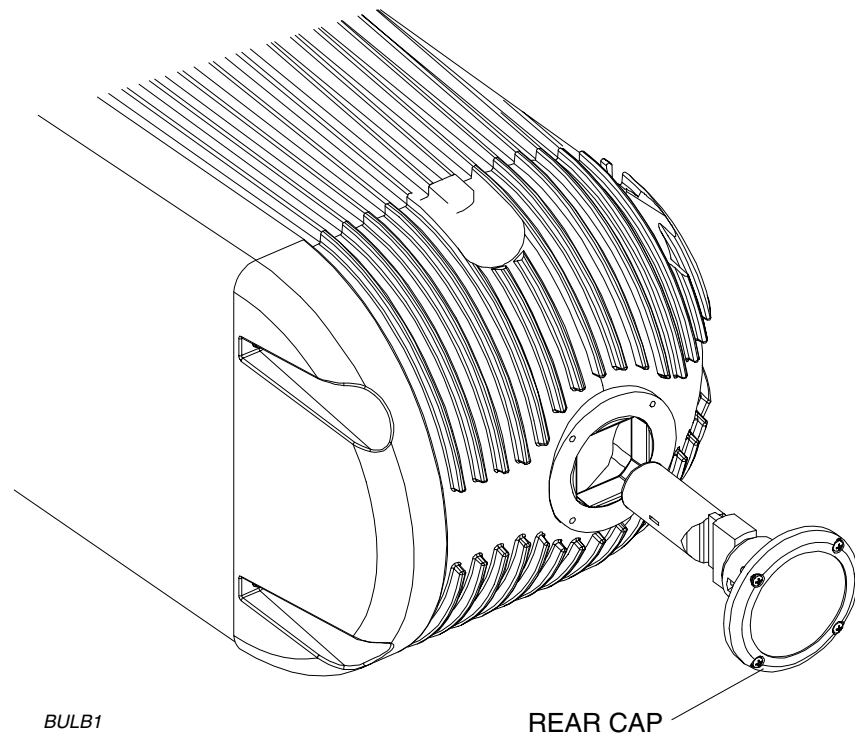
## 2.7 Preliminary Focus Adjustment

9. Using 3/16 inch T-handle Allen wrench (provided), loosen Allen head screw on tilt tube clamp as needed.
10. Rotate head assembly to approximate desired angle.
11. Tighten Allen head screw on tilt tube clamp as needed to hold luminaire in place.

---

## 2.8 Install Lamp

12. Remove rear cap. Be sure O-ring remains in groove of rear cap.
13. Install lamp in lamp socket. Do not touch the quartz bulb with bare fingers. If touched, clean quartz bulb with alcohol.
14. Reinstall rear cap on head enclosure, assuring O-ring is still in-place. Tighten screws in a diagonal cross pattern only until snug. Then tighten screws in same pattern until tight.



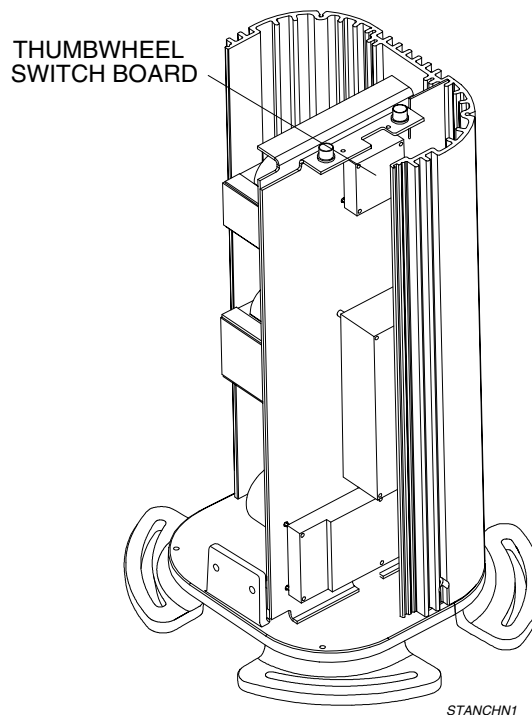
### 3 Fixture Address

Each AR500 luminaire requires four channels of DMX data to control the position of the color filters and diffuser/douser. The control sequence is as follows:

Channel	Filters & Diffuser/Douser
1	Blue Filters
2	Amber Filters
3	Magenta Filters
4	Diffuser/Douser Panels

#### 3.1 Setting the DMX Starting Address

The luminaire DMX starting address is set by a thumbwheel switch on the electronics plate in the stanchion. The next three channels will also be received. Each luminaire in a system must be set to the appropriate address in order to receive the four channels of data to control each luminaire.



In a simple case, only **AR500** luminaires are on a DMX-512 distribution network and the first luminaire is set for DMX channel 1. Thumbwheel addresses for **AR500** luminaires in such a case are given below:

Luminaire	Thumbwheel Address	Luminaire	Thumbwheel Address	Luminaire	Thumbwheel Address
1	1	11	41	21	81
2	5	12	45	22	85
3	9	13	49	23	89
4	13	14	53	24	93
5	17	15	57	25	97
6	21	16	61	26	101
7	25	17	65	27	105
8	29	18	69	28	109
9	33	19	73	29	113
10	37	20	77	30	117

---

## 4 Power-Up and Final Focus

1. Apply power to start lamp. The automatic calibration process will drive all filters to an open position. The luminaire will then remain on a solid white beam (unless DMX signal is present). Allow seven minutes for lamp to warm-up to full output.
2. Focus luminaire as follows:
  - a. Tilt head assembly to adjust for elevation.
  - b. Turn stanchion to adjust for azimuth.
  - c. Tighten Allen head screw in tilt tube clamp until secure.
  - d. Power unit off.
  - e. Remove stanchion cap.
  - f. Tighten 1-1/4 inch nut securely. Tilt tube clamp should hold head in place while tightening.
  - g. Replace stanchion cap (ensure gasket forms good seal).
  - h. Tighten nuts or bolts on stanchion securely.
  - i. Turn unit on.



## 5 TEST ROUTINES

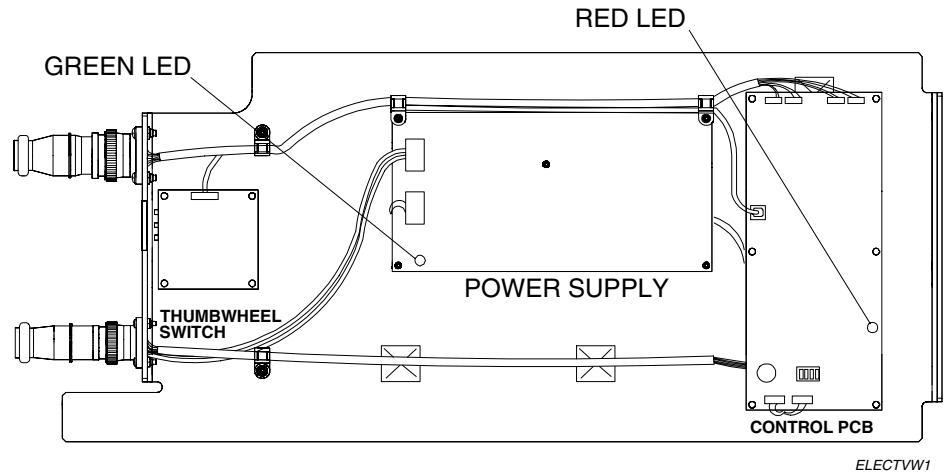
The AR500™ fixture has embedded test routines which allow you to control the unit using the thumbwheel switch. Use this feature to test and troubleshoot the unit without DMX control present. The settings are given below.

To start the tests, change thumbwheel address as required. Abort tests by moving address out of 900 range.

Test	Thumbwheel Address	Description of Routine
All Open	900	All panels open, static.
Blue Closed	910	Blue panels only closed, static.
Amber Closed	920	Amber panels only closed, static.
Magenta Closed	930	Magenta panels only closed, static.
Diffuser/Douser Closed	940	Diffuser/Douser panels only closed, static.
Blue Cycle	950	Blue panels only cycling. All other panels open.
Amber Cycle	960	Amber panels only cycling. All other panels open.
Magenta Cycle	970	Magenta panels only cycling. All other panels open.
Diffuser/Douser Cycle	980	Diffuser/Douser panels only cycling. All other panels open.
All Cycle	990	Sequential cycling of individual panels with an open state before the next panel closes.

## 6 LED FUNCTIONS

The stanchion electronics plate contains two boards with LED functions: a power supply and a control card. Both contain a single LED which indicates the activity of the unit.



The POWER SUPPLY has a green LED. When lit, the LED indicates that 24 Vdc power is present in the output and the supply is working properly.

The CONTROL CARD has a red LED which indicates one-of-three states of activity:

Control Card LED state	Description
Slow Flashing	Control card operating normally but DMX signal is missing or invalid.
Fast Flashing	Control card operating normally and has valid DMX signal.
Solid On or Off	The control card has stopped running for some reason. Possible blown fuse, control card failure, loose connection, etc.

---

## **7 TROUBLESHOOTING**

If the fixture has been installed and exhibits the following problems, try the suggested remedies and/or see the referenced section of the manual for possible solutions. If the problem cannot be solved, please call your local IRIDEON distributor or call IRIDEON Technical Support in Dallas, Texas U.S.A. at 214-819-3208 or toll-free at 800-215-1823.

Refer to Figures 1 and 2 at end of troubleshooting section as needed.

## 7.1 GENERAL TROUBLESHOOTING

**WARNING:** Hazardous voltages are present. Tests to be performed by qualified personnel only.

*If bulb does not light...*

<b>Is the bulb installed?</b>	Power off unit. Make sure good lamp is installed. See <a href="#">2.8 Install Lamp</a> .
<b>Is ballast power connector plugged-in?</b>	Power off unit. Remove stanchion cap. Check brown 2-pin connector at top of ballast for good connection. (See Figure 1: <a href="#">Ballast Layout</a> for location).
<b>Is there AC power to ballast?</b>	Power off unit. Remove stanchion cap. Unplug brown 2-pin connector at top of ballast card. Power on unit and check for proper input AC across pins on female connector. See Figure 1: <a href="#">Ballast Layout</a> . (Proper input AC dependent on configuration) Power off unit. Plug connector back in and reinstall stanchion cap.
<b>Is the AC correctly terminated?</b>	Power off unit. See <a href="#">2.4 Wiring to Stanchion</a> .
<b>Is bulb wire connected in stanchion?</b>	Power off unit. Bulb wires are on white connector at top of stanchion. Check for good connection.
<b>Are there any loose connections on ballast?</b>	Power off unit. Check other wire connections. <b>Note:</b> <i>The transformer and inductor each have unterminated wires for use in installations with alternate AC power. These should be "tied off" and are not considered loose connections.</i>
<b>Does the unit have a douser mechanism?</b>	If so, make sure douser mechanism is open. To open douser, remove DMX signal, then cycle power to fixture. The douser and all filters should go to open. If filters do not move, go to <a href="#">7.3 Electronics Troubleshooting</a> .

In order to troubleshoot the color mechanism, the bulb may be disabled by disconnecting the input power connector from the ballast card. This will allow repeated power-up of the fixture without the necessary cool down period (for the bulb).

Disable lamp and ballast as follows:

1. Remove power from **AR500** fixture.
2. Remove stanchion cap.
3. Unplug brown 2-pin power connector from ballast input connector.
4. Replace stanchion cap.
5. At conclusion of test, power off unit and reconnect brown 2-pin connector.

*If the fixture does not change color...*

<b>Do the color panels open when the fixture is powered-up?</b>	If so, go to <a href="#">7.2 DMX Troubleshooting</a> .
<b>Are the color panels already open?</b>	If so, listen for 'whirr' of motors as they attempt to drive panels for first 3 seconds after power-up. If panels do not open and motors do not 'whirr', go to <a href="#">7.3 Electronics Troubleshooting</a> .
<b>Do some panels open, while others remain closed?</b>	If so, go to <a href="#">7.4 Mechanical Troubleshooting</a> .

## 7.2 DMX TROUBLESHOOTING

<b>Is there DMX to the fixture?</b>	See description of LED operation in <a href="#">7 LED Functions</a> to check for DMX activity.
<b>Are the 1/16A fuses on the control card good?</b>	See <a href="#">Figure 2: Electronics Plate Layout</a> for location. Check for continuity across each green fuse (4 total). If there are blown fuses, remove fuseblock, rotate 180 degrees, then reinsert. This will provide two new fuses since only two fuses are in use at one time.
<b>Is the DMX address set properly?</b>	See <a href="#">3 Fixture Address</a> .
<b>Is the DMX line properly terminated?</b>	See <a href="#">1.3 Input Power and Control Cabling</a> .
<b>Does fixture respond properly to diagnostic tests given in 7. TEST ROUTINES?</b>	If so, problem may be with the incoming DMX data. See <a href="#">1.3 Input Power and Control Cabling</a> .

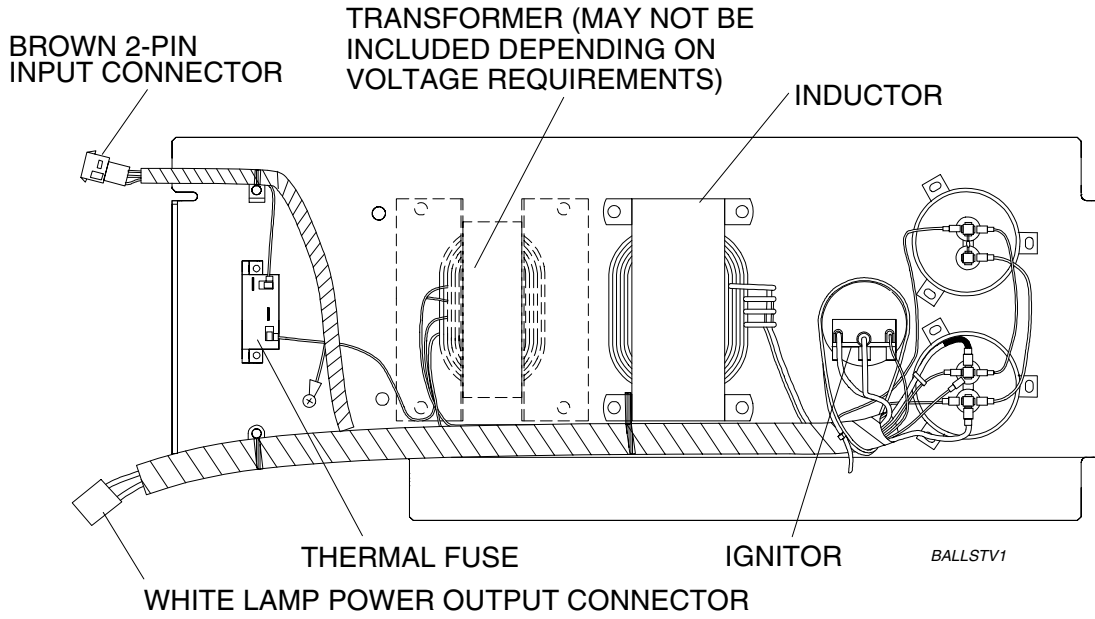
### 7.3 ELECTRONICS TROUBLESHOOTING

<b>Is there AC power to the electronics?</b>	Remove power from unit. Remove stanchion cap. Disconnect two CPC connectors from electronics card. Remove electronics card and reconnect connectors. Turn on power to unit. Measure the incoming AC voltage on the orange 6-pin plug connected to the DC power supply (see <a href="#">Figure 2: Electronics Plate Layout</a> ). There should be input AC across the black and white wires.
<b>Is there 24V DC power to the lamp control board?</b>	Check to see if green LED on power supply is lit. See <a href="#">6 LED Functions</a> .
<b>Is the 5A fuse on control card good?</b>	Power off unit. See <a href="#">Figure 2: Electronics Plate Layout</a> for location. Remove fuse to check continuity. If no continuity, replace fuse.
<b>Are there any loose connections on electronics plate?</b>	Power off unit. See <a href="#">Figure 2: Electronics Plate Layout</a> for locations. Plug-in any loose connections. Make sure none are plugged-in backwards.

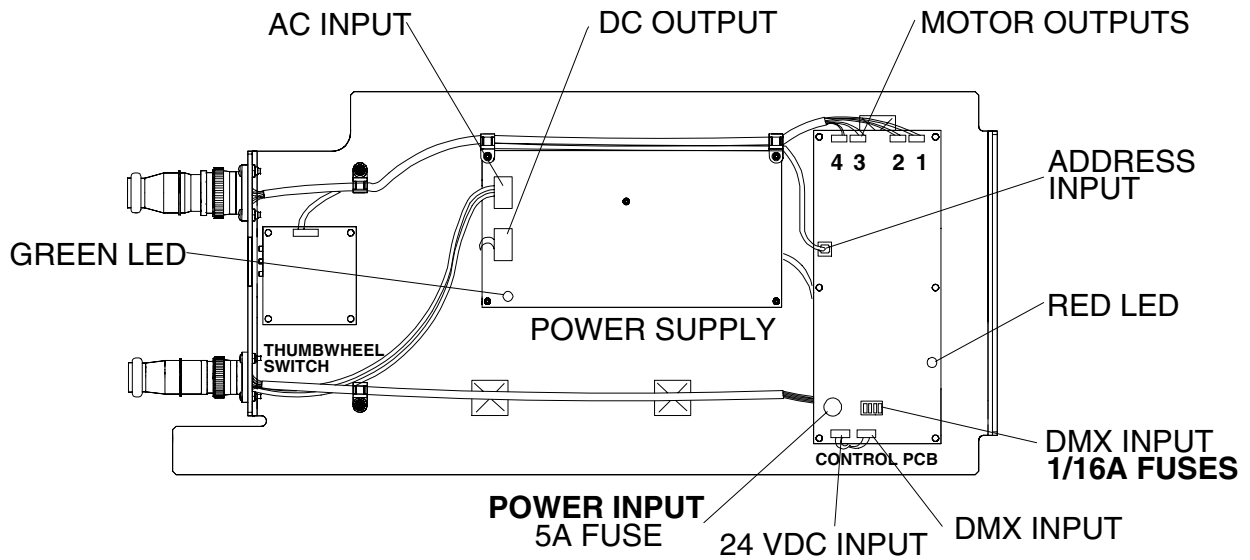
### 7.4 MECHANICAL TROUBLESHOOTING

<b>Are all drive linkages properly connected?</b>	Power off unit. Remove front of head enclosure. Make sure each filter ring is connected to its drive motor shaft by small brass link. (The drive arm on disconnected linkages will spin during power-up). If disconnected, reconnect by spreading tabs on drive arm link around corresponding brass link.
<b>Are all motor wires connected?</b>	Check connections at control card (4 total, match wire number to PCB Step number) and 16-pin CPC connector on electronics plate. See <a href="#">Figure 2: Electronics Plate Layout</a> and <a href="#">2.6 Finish Preparing Stanchion</a> .

**Note:** At conclusion of these tests replace all components, making sure all connections are clean and secure.



**Figure 1 - Ballast Layout**



**Figure 2 - Electronics Plate Layout**

ELECTRVW

---

## 8 Limited Warranty

IRIDEON, Inc. warrants to Purchaser that for a period of (12) months from date of installation, but not more than (18) months from date of shipment, the Products shall be free from defects in materials and workmanship under normal use and service. Warranty is limited to (60) days from shipment for sample Products or Products used for rental. IRIDEON, Inc.'s sole responsibility under this warranty shall be to repair or replace, at IRIDEON, Inc.'s option, any nonconsumable part which is defective, malfunctions, or otherwise fails to perform its intended function, when used in a manner consistent with its intended function, provided that customer obtains return authorization in advance from IRIDEON, Inc. and ships prepaid any part of the products to be repaired or replaced under the Limited Warranty to IRIDEON, Inc. or, at IRIDEON, Inc.'s option, to its authorized repair center, within the Limited Warranty period. IRIDEON, Inc. shall not assume any responsibility for any labor expended or materials used to repair any equipment without IRIDEON, Inc.'s prior written authorization. IRIDEON, Inc.'s sole obligations and Purchaser's sole remedy for any Product that is defective, malfunctions, or otherwise fails to perform its intended function when used in a manner consistent with its intended function pursuant to the Limited Warranty is repair and/or replacement of the Product. IRIDEON, Inc. is not responsible for damage to its products through improper installation, maintenance, use, or attempts to operate product above its rated capacity or voltage, intentionally or otherwise, or for unauthorized repairs.



---

## 9 Software License

Software Copyright © 1996 IRIDEON, Inc. All Rights Reserved

Before using this Equipment, please carefully read the software license provisions below. If you do not agree with these provisions, promptly return the equipment to IRIDEON, Inc. and your money will be refunded.

Title to the Software and all ownership and proprietary rights to the Software shall remain with IRIDEON, Inc., except as follows:

- (a) Purchaser is granted a personal, non-exclusive license to use the Software solely to operate the Equipment for its intended purpose in a single, permanent installation at the Purchaser's Place of Use. The Software License continues until Purchaser ceases to use the Equipment or transfers the Equipment to another party, at which point the license shall be automatically transferred to the new owner, subject to the terms of this license.
- (b) Purchaser is authorized to execute the code embodied in the Software to enable the Equipment to perform according to specifications.
- (c) Purchaser agrees that it will not use or copy the Software, copies of the Software, or any code in the Software, except as expressly authorized in this License and will not modify, merge, disassemble or decompile the Software, copies thereof, or any code in the Software, nor remove any notices or license terms from the Equipment or documentation. Information necessary to achieve interoperability of the Equipment with other programs is available from IRIDEON, Inc. on request.
- (d) Upon the resale of the Equipment, this Software License is automatically transferred to the subsequent purchaser, provided the subsequent purchaser agrees to accept the terms of this Software License. Purchaser agrees that it will not sublicense, rent, or assign the Software.
- (e) All additional Software supplied in the form of updates or incorporated in replacement IRIDEON™ hardware shall be subject to the terms of this Software License.